



Automatic Gate System

Solar - Kit Inclusions E8 500KIT

- Actuator Arm
- 1 x Control Box
- 1 x Control Board
- 1 x Bracket set
- 1 x Gate stop
- 2 x Release keys
- 2 x Remotes
- 1 x Caution sign
- 1 x 45watt Solar panel with bracket
- 1 x 12v 14ah deep cycle battery
- 1 x PWM Solar Charger



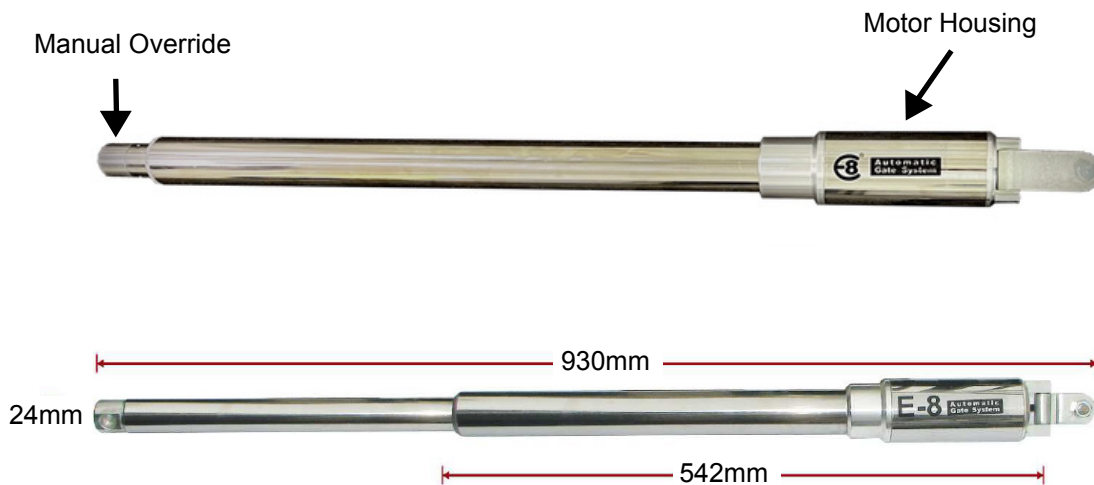
Single & Double Kits



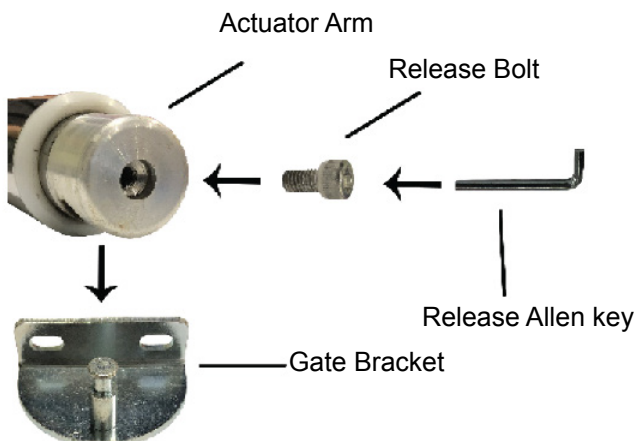
Features & Specs

- > 439 Stainless steel Actuator
 - > 16v Motor
 - > Auto Close up to 99 sec
 - > Solar or Electric kits
 - > Adjustable soft start/stop
 - > Worm driven actuator
 - > Remote quantity - 120
 - > Collision Sensing
 - > Motor Power: 80 watts
- > Exit only input
 - > Party mode feature
 - > Self Learning
 - > Manual release key
 - > Max gate length 4mtrs
 - > Gate weight max. 250kgs dependant on gate length
 - > Single or Double gates

Actuator Overview



Manual Override



Optional Extra's

